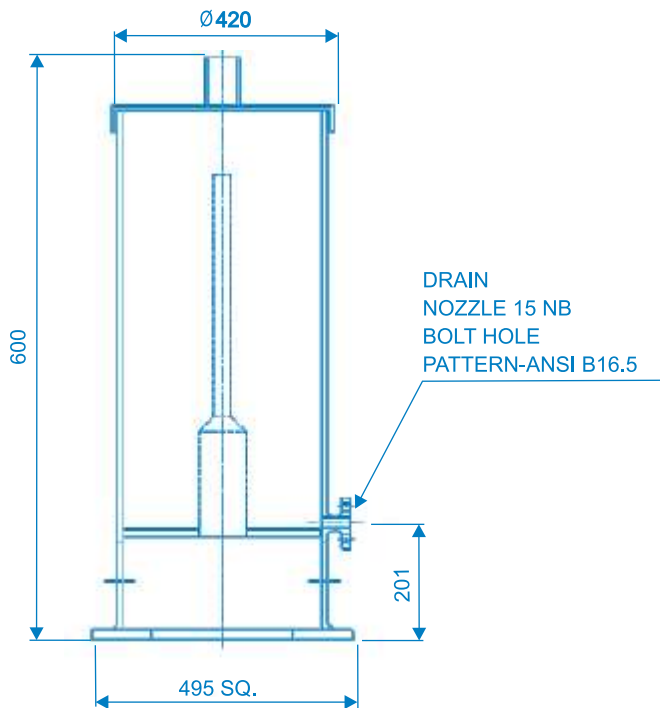


**NC 15**

# BATCH CHLORINATOR ELECTROLYZER

**BRINE  
Electrolyzer**

## DIMENSION SPECIFICATION



## CONSTRUCTION SPECIFICATION

CAPACITY	MOUNTING TYPE	BODY	ANODE	CATHODE	SPACER
150 g/batch (8hrs / batch)	VERTICAL	PVC + FRVE	TITANIUM Gr.2 WITH PRECIOUS METAL OXIDE COATING	TITANIUM Gr.2 WITH PRECIOUS METAL OXIDE COATING	PTFE / PVDF