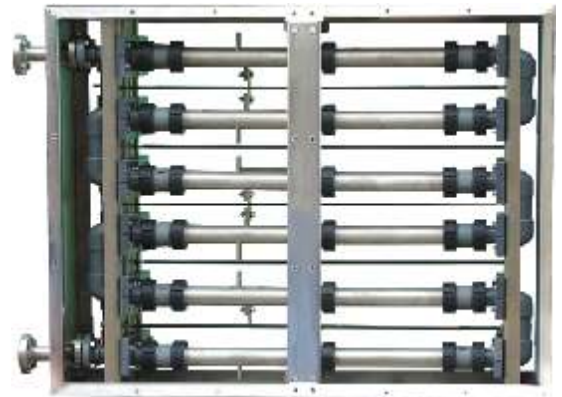
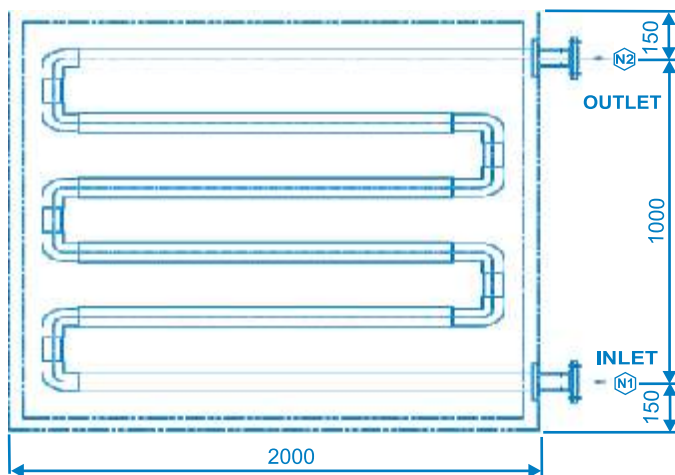


HYPOPAC M3K CONCENTRIC TUBE ELECTROLYZER

**SEAWATER
Electrolyzer**

DIMENSION SPECIFICATION



MARK	QTY	SERVICE	NB	RATING	BOLT HOLE PATTERN
N1	1	SEAWATER INLET	40	150#	ASTM B16.5 (OFF Crs.)
N2	1	HYPOCHLORITE OUTLET	40	150#	ASTM B16.5 (OFF Crs.)

All dimensions are in mm.

CONSTRUCTION SPECIFICATION

CAPACITY	MOUNTING TYPE	FITTINGS	ANODE	CATHODE	ENCLOSURE
3.0 Kg/hr	HORIZONTAL	CPVC	TITANIUM Gr.2 WITH PRECIOUS METAL OXIDE COATING	TITANIUM Gr.2	SS316L (2000 X 1300 X 200)

www.electrochlorinator.com

Hypo Pac®
Registered Trademark of Titanium Tantalum Products Limited.
sales@titanindia.com
www.titanindia.com

Titanium Tantalum Products Limited
86/1, Vengaivasal Main Road,
Gowrivakkam, Chennai 600 073, INDIA
☎ +91-44-22781210/0211/0212
☎ +91-44-22780209

TITAN®
SINCE 1981